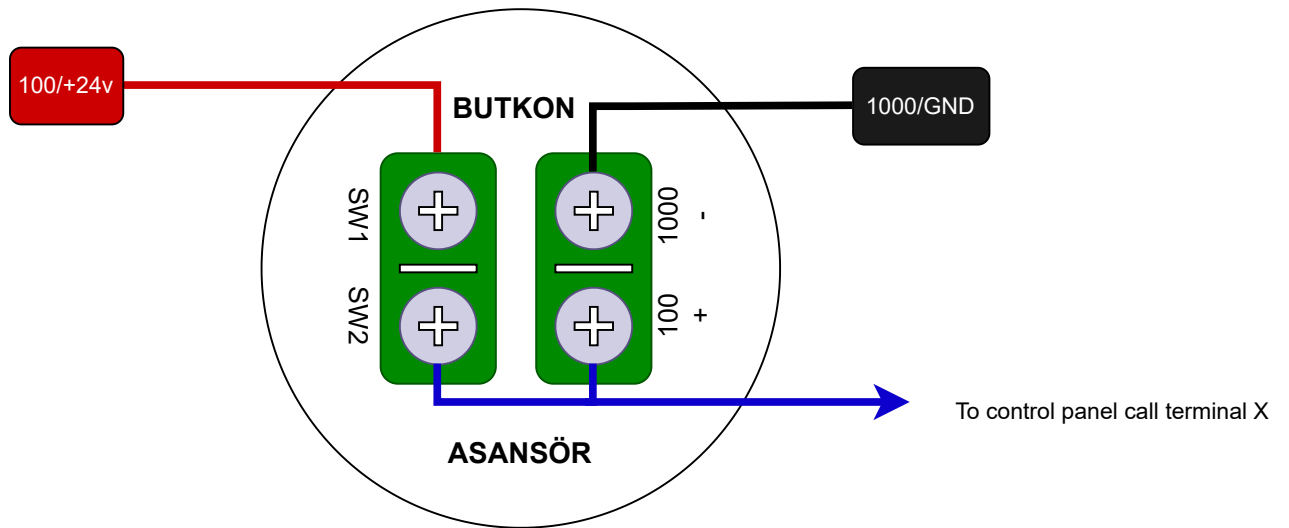


Button Connection diagram - Nut fastened button

Panel working with 100 logic (i.e positive trigger)



Panel working with 1000 logic (i.e negative trigger)

